



TD-YXH0301

Junction Box

Features

- Aluminum alloy material with surface spray treatment
- Camera cables can be perfectly collected to the junction box so that the installation looks more elegant
- Bottom inlet and side inlet
- Available for wall or ceiling mounting
- Water-proof design

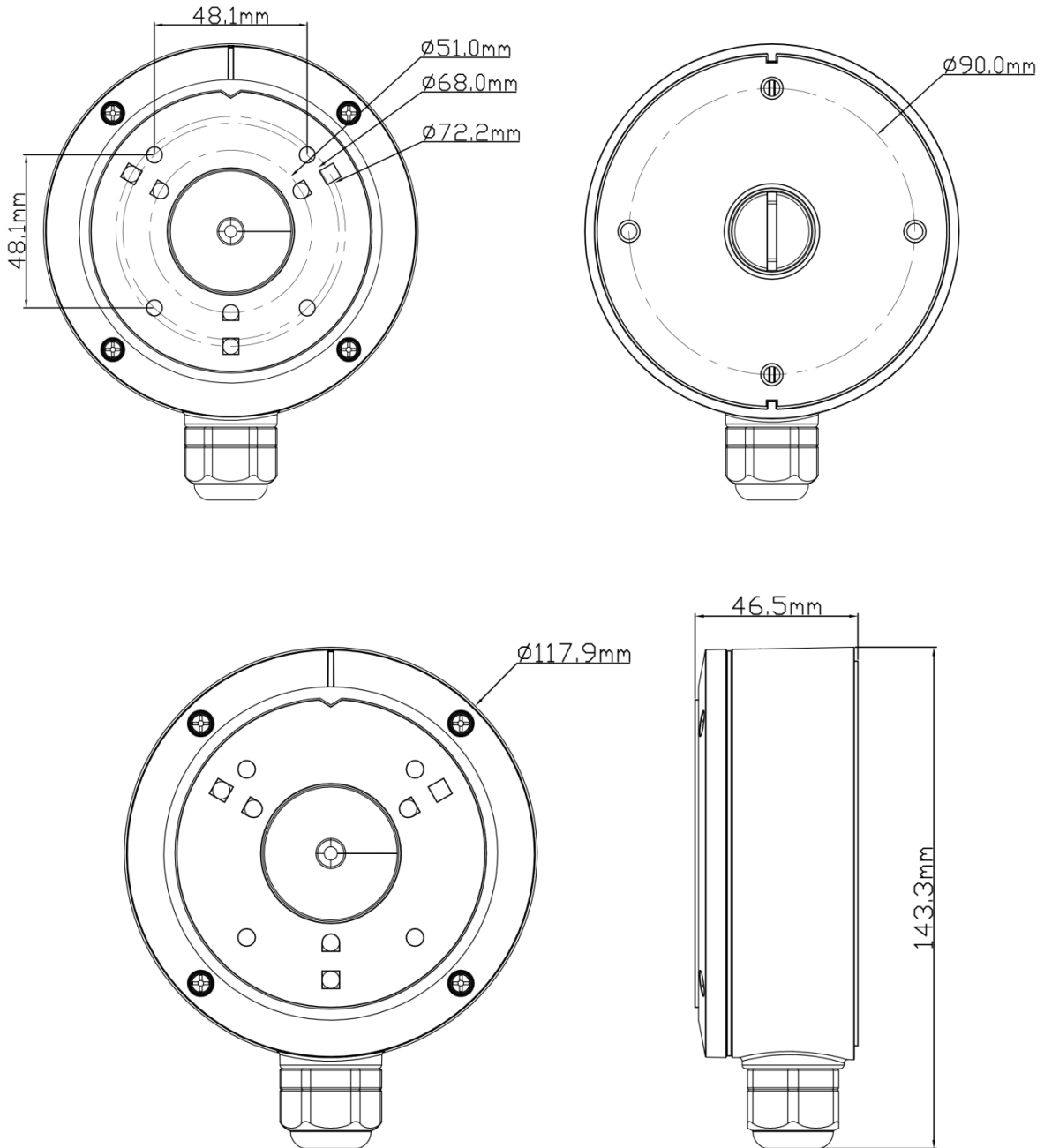
Specifications

| | |
|-------------------------|--|
| Model | TD-YXH0301 |
| Material | Aluminum alloy |
| Color | White |
| Min. Packaging Quantity | 20 |
| Packing Size | 325x315x265mm |
| Dimension | 117.9x47mm |
| Load Bearing | The wall must be strong enough to withstand at least 3 times the weight of the camera and the junction box |
| Net Weight | 380g |
| Working Temperature | -40°C~+60°C(-40°F~+140°F) |
| Working Humidity | 10%~90% |

Available Model

| | | |
|-----------------|------------|--------------|
| Available Model | TD-YXH0301 | Junction Box |
|-----------------|------------|--------------|

Dimensions



Shenzhen TVT Digital Technology Co., LTD.

Address: 23rd Floor, Block B4, Building NO.9, Shenzhen Bay Eco-Technology Park, Nanshan District, Shenzhen, Guangdong Province, P.R. China

Tel: +86-755-36995888

Website: <http://en.tvt.net.cn>

Fax: +86-755-33104777

E-mail: overseas@tvt.net.cn